

Shepherds Hear About Jesus' Birth

Luke 2:8-20

"So now I am giving you a new commandment: Love each other. Just as I have loved you, you should love each other."
(John 13:34)

Jesus loves everyone... even if we feel like outsiders.

There are about eleventy-zillion ways to feel like an outsider—and none of them feel good.

You move to a new neighborhood. Start at a new school. Don't make the team. *Do* make the team. Everyone around you gets a joke and you don't. You tell a joke and nobody gets it.

And boom: Instant outsider. You feel silly, small, and alone. Like everyone's looking but nobody cares.

But here's the truth: If you know Jesus, you're never an outsider because *Jesus turns outsiders into insiders*. He invites you into a friendship with him and into friendships with his other friends. It's instant family—with Jesus at the very center.

You never have to feel like an outsider again when you're a friend of Jesus!

Talk-Starters

Who in your life is also friends with Jesus? How does having a shared friendship with Jesus help your friendship?

Try This @ Home

At school look for someone who's an outsider—someone who doesn't seem to have a friend nearby. Say "hello" and have a conversation. You'll help turn an outsider into an insider—just like Jesus did with you!

Hi! What's your name?



Explore More @ Home

Instant family? Yup—it's true! Read 1 Corinthians 12:12-13, 25-26; and Ephesians 2:18-19.



Make this page fly home!

Fold a flyer. When you get home

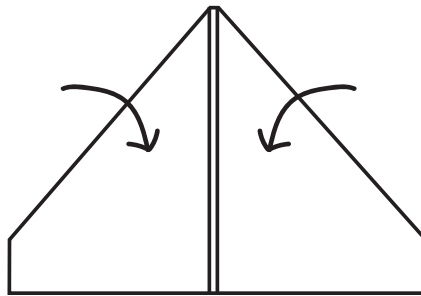
...toss it so a friend or family member can catch it!

Here's how:

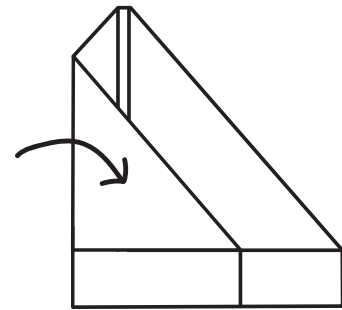
1 Fold the paper in half as shown.



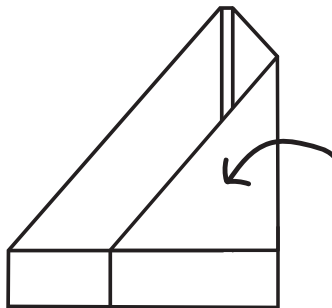
2 Fold in the top corners to the center to make flaps.



3 Flip over, then fold in one side about an inch from the center.



4 Unfold, then fold the other side about an inch from the center.



5 Flip over again, hold on to the center fold, and let 'er sail!

