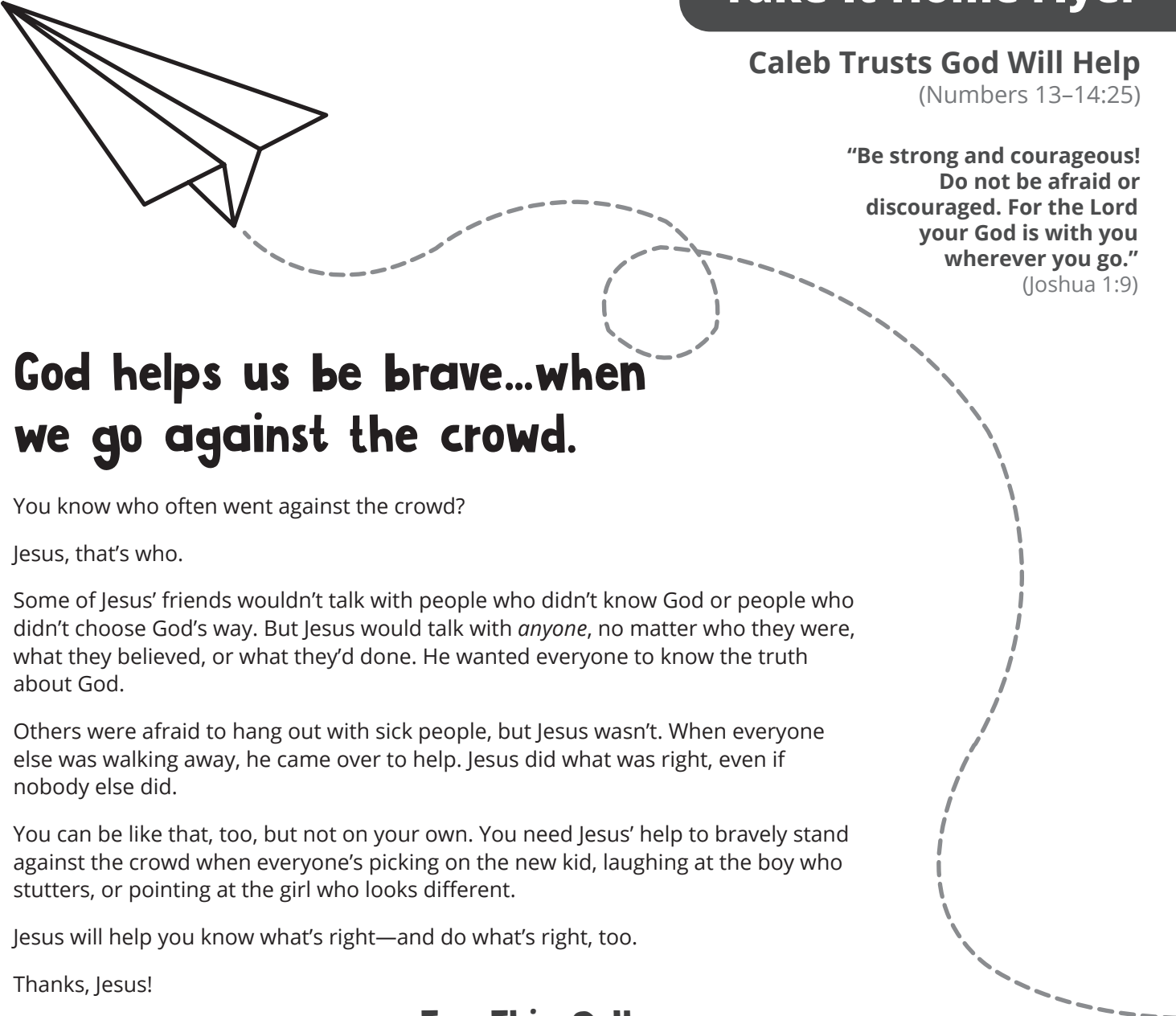


## Caleb Trusts God Will Help

(Numbers 13-14:25)

**“Be strong and courageous!  
Do not be afraid or  
discouraged. For the Lord  
your God is with you  
wherever you go.”**  
(Joshua 1:9)



## God helps us be brave...when we go against the crowd.

You know who often went against the crowd?

Jesus, that's who.

Some of Jesus' friends wouldn't talk with people who didn't know God or people who didn't choose God's way. But Jesus would talk with *anyone*, no matter who they were, what they believed, or what they'd done. He wanted everyone to know the truth about God.

Others were afraid to hang out with sick people, but Jesus wasn't. When everyone else was walking away, he came over to help. Jesus did what was right, even if nobody else did.

You can be like that, too, but not on your own. You need Jesus' help to bravely stand against the crowd when everyone's picking on the new kid, laughing at the boy who stutters, or pointing at the girl who looks different.

Jesus will help you know what's right—and do what's right, too.

Thanks, Jesus!

### Talk-Starters

**When might you need to go against the crowd in your life right now? What's keeping you from doing it?**

### Try-This-@-Home

Turn on a faucet so water runs quickly down the drain. Now use a finger to try to get the water to run back up *into* the faucet. Splash! How is that like bravely going against the crowd to do the right thing? (One right thing is cleaning up your mess, by the way!)



### Explore More @ Home

We can be brave because we're not alone. Knowing God helps us be brave! See Hebrews 13:5-6 and 2 Timothy 1:7.



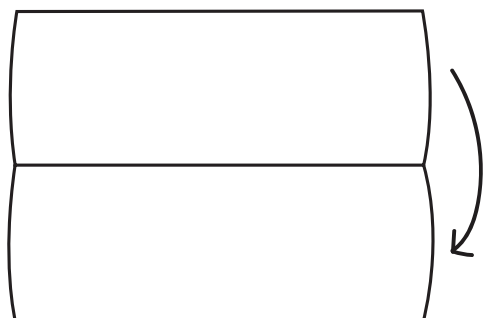
# Make this page fly home!

Fold a flyer. When you get home

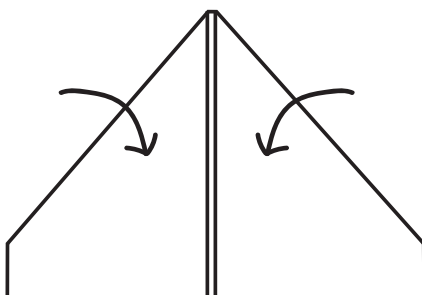
...ask a family member to provide sound effects as the plane takes flight. The funnier, the better!

## Here's how:

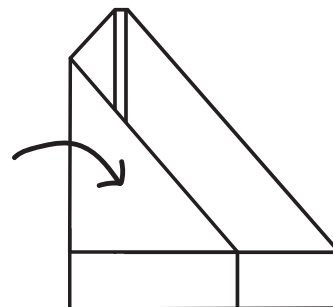
**1** Fold the paper in half as shown.



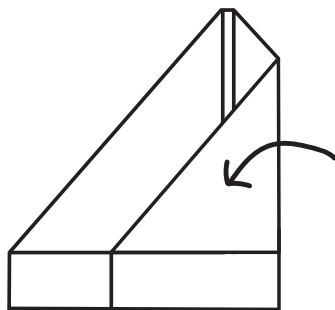
**2** Fold in the top corners to the center to make flaps.



**3** Flip over, then fold in one side about an inch from the center.



**4** Unfold, then fold the other side about an inch from the center.



**5** Flip over again, hold on to the center fold, and let 'er sail!

